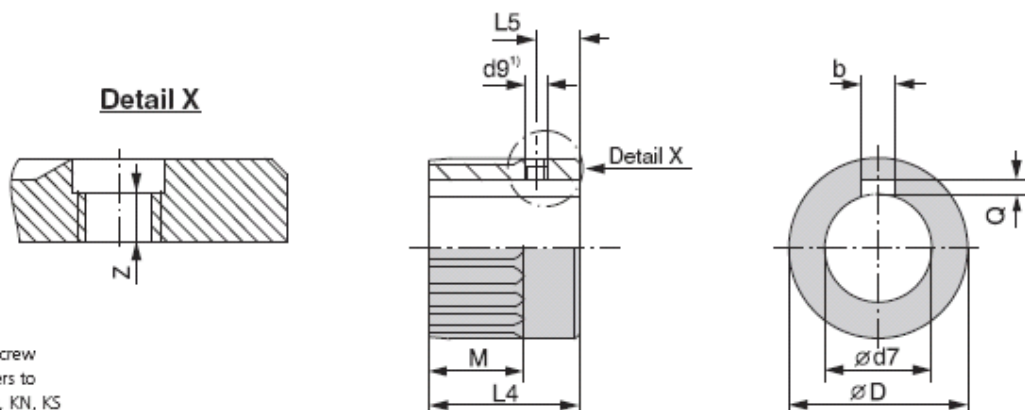


Муфта Z000.155



- 1) Thread with grub screw
- 2) Article number refers to pilot bore coupling, KN, KS

Type	Article no. 2)	Ø D	L4	M	Splined coupling DIN 5480	Ø d7 max.	Ø d7 H8 from to	b JS 9	Q	Parallel key DIN 6885-1	Ø d9 1)	L5	Grub screw EN ISO 4029	Z
GS 250.3	Z000.155	209	180	105	210x5x40	160	50 58	16	4.3 + 0.2	16 x 10 x ..	M16	25	M16 x 16	24
							58 65	18	4.4 + 0.2	18 x 11 x ..				
							65 75	20	4.9 + 0.2	20 x 12 x ..				
							75 85	22	5.4 + 0.2	22 x 14 x ..				
							85 95	25	5.4 + 0.2	25 x 14 x ..				
							95 110	28	6.4 + 0.2	28 x 16 x ..				
							110 130	32	7.4 + 0.2	32 x 18 x ..				
							130 150	36	8.4 + 0.3	36 x 20 x ..				
150 160	40	9.4 + 0.3	40 x 22 x ..											